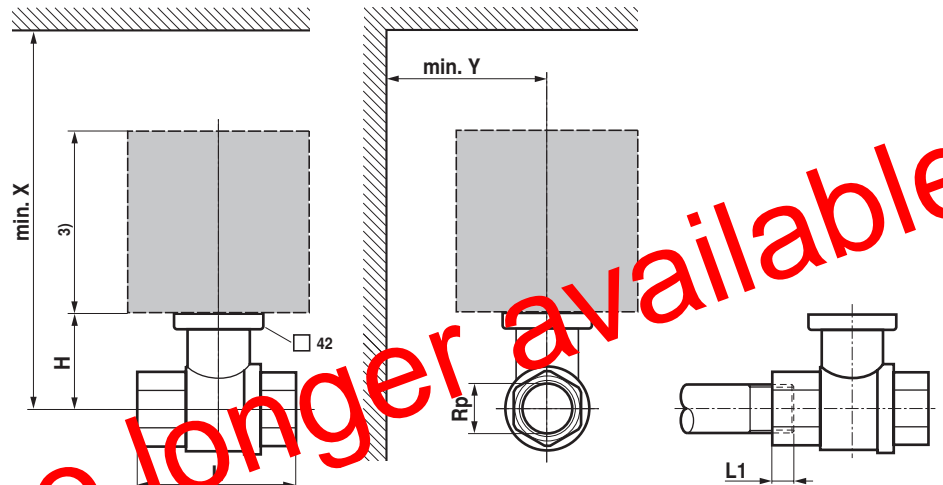


Dimensions and weights

Dimensional drawings



DN [mm]	L [mm]	H [mm]	Rp [Inches]	L1 ¹⁾ [mm]	X ²⁾ [mm]	Y ²⁾ [mm]	Weight [kg]
10	52	35	3/8"	10	220	90	0.3
15	67	45	1/2"	13	220	90	0.4
20	78	47.5	3/4"	13	220	90	0.55
25	87	47.5	1"	17	220	90	0.7
32 R229	105	47.5	1 1/4"	19	220	90	0.9
32 R231	105	52	1 1/4"	19	230	90	1.05
40	111	52	1 1/2"	19	230	90	1.15
50	125	58	2"	22	240	90	1.8

¹⁾ Maximum installation depth.

²⁾ Minimum distance with respect to the valve centre.

³⁾ The actuator dimensions can be found on the respective actuator data sheet.

Further documentations

- Complete overview «The complete range of water solutions»
- Data sheets for actuators
- Installation instructions for ball valves resp. actuators
- Notes for project planning (hydraulic characteristic curves and circuits, installation regulations, commissioning, maintenance etc.)

